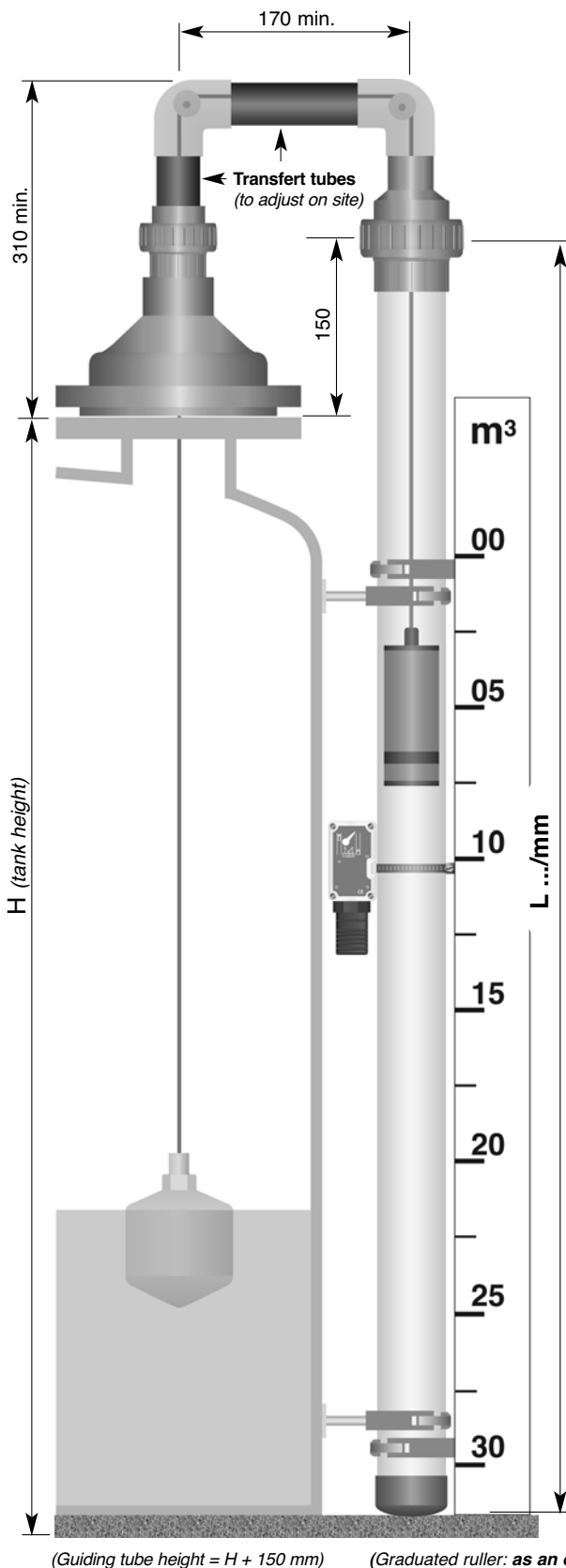


Gas tight cable operated level indicator SFA/E



- Gas tight cable operated level indicator
- Vapours confining
- Fluid protection from contamination
- Convenient to viscous, aggressive, wasted liquids
- Adjustable on site, easy to install
- For any tank height

PRINCIPE

A gas tight tubing with a flange connection to tank allows a safer atmosphere outside the tank; all vapours are confined inside the SFA/E. With the same tightness, a SFA/E protects also the inside tank fluid from contamination with outside atmosphere.

The float, suspended to a cable supported with 2 pulleys, drives a balance weight inside the external transparent tube.

The balance weight has a built in magnet to operate the level switches or a continuous level 4-20 mA transmitter (optional accessories).

DESCRIPTION

Pulleys are built in, into PVC elbows with a special cable no jump system. Elbows are glued on site to PVC tubes.

The balance weight allows an easy level reading. It is guided in a transparent PVC tube (Ø 63 x 57), tightly closed.

Assembly is connected to the tank with a PVC flange (ND 100).

The balance weight has a built in magnet to operate the level switches or a continuous level 4-20 mA transmitter (optional accessories).

Before manufacturing, specify L mm

CODE NUMBERS AND REFERENCES

- 583 700 SFA/E/F8 , PVC and PPH gas tight model, including:**
- 1 PVC guiding tube, Ø 57 x 63 mm (closed on one end)
 - Total length to specify when ordering
 - 2 PVC transfer tubes, Ø 40 mm, to adjust and glue on site
 - Standard length 1000 mm
 - 1 PPH float, Ø 98 mm
 - PPH cable, Ø 3 mm, 5 m long
 - 2 gas tight pulleys
 - 1 balance weight with built in magnet
 - 1 PVC flange ND 100
 - 2 Fixation collars for Ø 63 PE drives tube
 - Collars for tube Ø 63 mm fitting
 - Polyethylene collar
- | | |
|--|---------|
| | FP/SFA |
| | CPM/SFA |
| | PE/SFA |
| | CP/SFA |
- 583 720 Kit SFA/E without guiding tube**
- 2 gas tight pulleys
 - 1 PPH float, Ø 98 mm
 - 1 Magnetized counterweight
 - 5 meters / Ø 3 PPH cable
- | | |
|--|---------|
| | PE/SFA |
| | FP/SFA |
| | CP/SFA |
| | CPM/SFA |

BAMO MESURES

22, Rue de la Voie des Bans - Z.I. de la Gare - 95100 ARGENTEUIL
Tél : (+33) 01 30 25 83 20 - Web : www.bamo.fr
Fax : (+33) 01 34 10 16 05 - E-mail : info@bamo.fr

**GAS TIGHT CABLE OPERATED
LEVEL INDICATOR
SFA / E**

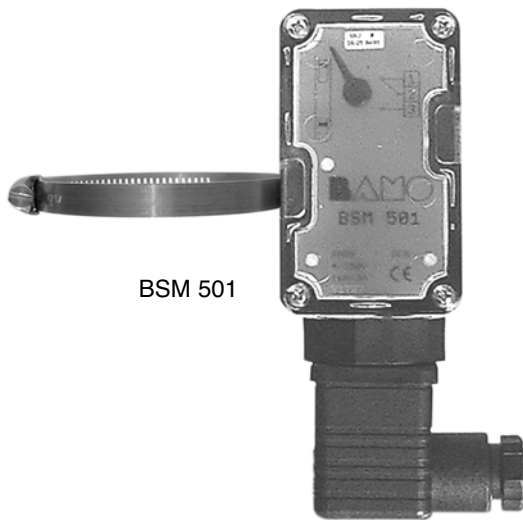
NIV

583-02/1

80037-20-12

583 11 02 H

LEVEL SWITCH BY MICROSWITCH BSM 501- BSM 515



BSM 501

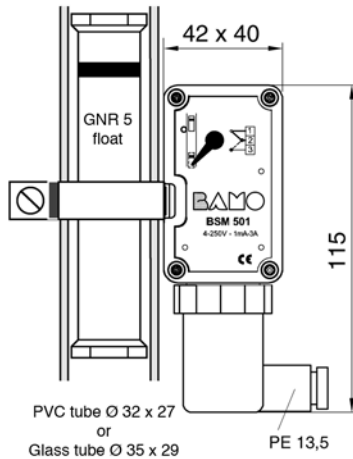
- Strong braking capacity
- Reverse and bistable switch
- IP 65 housing

PRINCIPLE

Magnetic handle, driven by float or conterweight, establish a dry contact operating on a microswitch. The various components such as terminal block are lead on printed board, the totality in an IP 65 box equipped with an output Pg13,5 stuffing box, and a S. Steel clamp for mounting on standard tube diameter 32, 35, 63 mm.

TECHNICAL FEATURES

Rated voltage	: 4 V ...250 V AC, 4 V30 V DC
Rated current	: 1 mA...3 A (AC or DC)
Switching principle	: magnetic actuated micro switch with change over contact
Min. distance	: 40 mm (between two switching points)
Max. cable cross section:	: 1,5 mm ²
Electrical connection	: 3-pole cable plug acc. DIN EN 175301 with PE terminal
Ambient temperature	: -20 °C...+90 °C
Material	: Translucent polycarbonate
Fixing	: Stainless steel collar for Ø 32, 35 or 63
Housing	: IP 65 acc. EN 60 529
CE labels	: In accordance with low Voltage Guidelines 72/73/EEC, EMV Guidelines 89/336/EEC



ACTIONNEURS ELEMENTS FOR BSM 501

Code	Type	Reference
570 075	GNR 51 PPh	Float for GNR 5 Glass
570 080	GNR 52 PPh	Float PPh Ø 32 for GNR 5
570 082	GNR 53 PVDF	Float for GNR 5 Ø 32 PVC
570 085	GNR 62	Float for GNR 6 PVC
583 400	CP/SFA	Counterweight for SFA and SFA/E

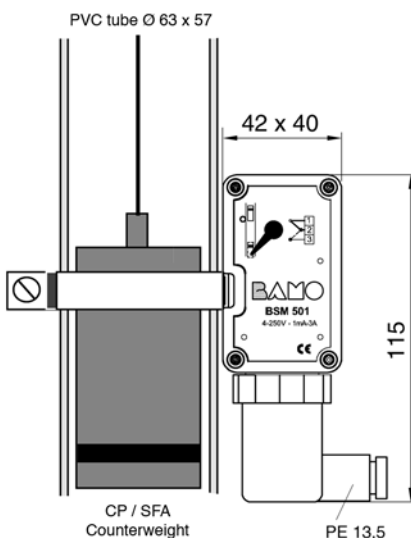
ACTIONNEURS ELEMENTS FOR BSM 515

Code	Type	Reference
560 ...	Float	Float for MAGTOP

CODES AND REFERENCES

Code	Reference	Using
585 132	BSM 501 / 32	Switch for GNR 5 and FS4
585 163	BSM 501 / 63	Switch for SFA, SFA/E and GNR 6
585 515	BSM 515 / 63	Switch for MAGTOP in Stainless Steel (1)

(1) Specific for stainless steel MAGTOP only
- Not suitable for Plastic or Steel MAGTOP.



BAMO MESURES

22, Rue de la Voie des Bans - 95 100 ARGENTEUIL - FRANCE
Tél : (+33) 01 30 25 83 20 - E-mail : info@bamo.fr
Fax : (+33) 01 34 10 16 05 - Site : http://www.bamo.fr

LEVEL SWITCH
FOR FLOAT SYSTEMS
BSM 501- BSM 515

28-08-2007

585 11 01 H

NIV

585-01/1